

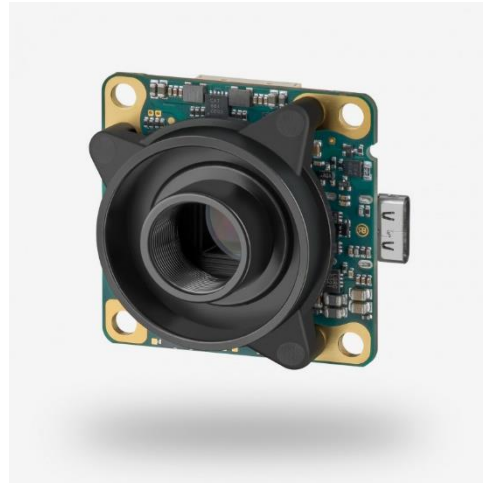
Document availability: **Public**

## USB 3.1 uEye LE PCB harmonization (connector add-on)

<b>Affected products</b>	USB 3.1 Gen 1 uEye LE cameras, HU and VU connector versions: <ul style="list-style-type: none"> <li>• UI-304xLE</li> <li>• UI-313xLE</li> <li>• UI-327xLE</li> <li>• UI-386xLE</li> <li>• UI-388xLE</li> <li>• UI-359xLE</li> </ul>
<b>Type of product change</b>	<input type="checkbox"/> Electrical Specification <input checked="" type="checkbox"/> Mechanical Specification <input type="checkbox"/> Optical Specification <input type="checkbox"/> Firmware Specification <input type="checkbox"/> Regulatory or Compliance <input type="checkbox"/> Change of Part Number <input type="checkbox"/> Discontinued Product or Part
<b>Document version</b>	1.0
<b>Release date:</b>	1st October 2020



UI-3040LE, UI-3130LE, UI-3270LE  
UI-3860LE, UI-3880LE, UI-3590LE  
(likewise product image)



UI-3041LE, UI-3131LE, UI-3271LE  
UI-3861LE, UI-3881LE, UI-3591LE  
(likewise product image)



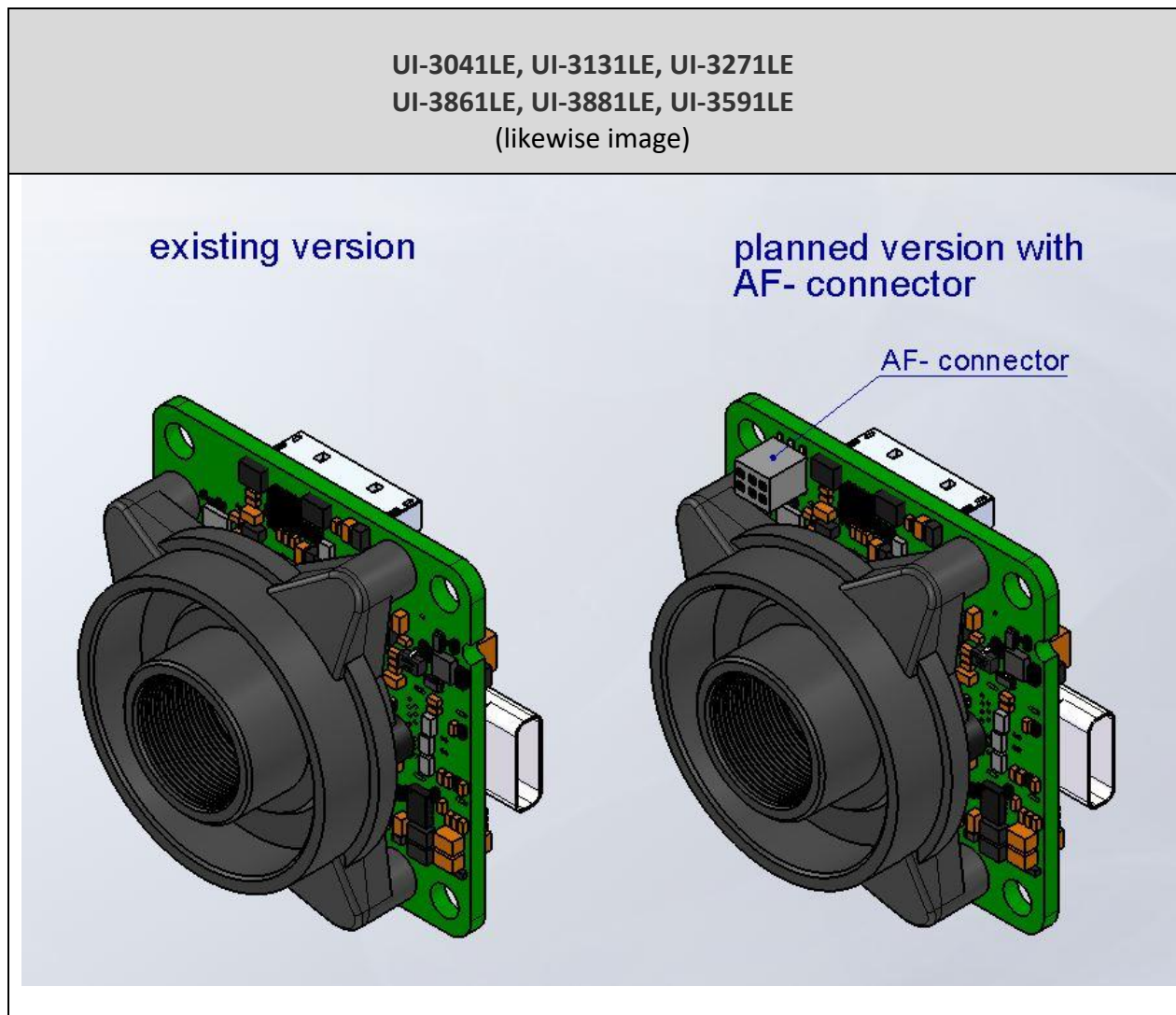
UI-3042LE, UI-3132LE, UI-3272LE  
UI-3862LE, UI-3882LE, UI-3592LE  
(likewise product image)



UI-3044LE, UI-3134LE, UI-3274LE  
UI-3864LE, UI-3884LE, UI-3594LE  
(likewise product image)

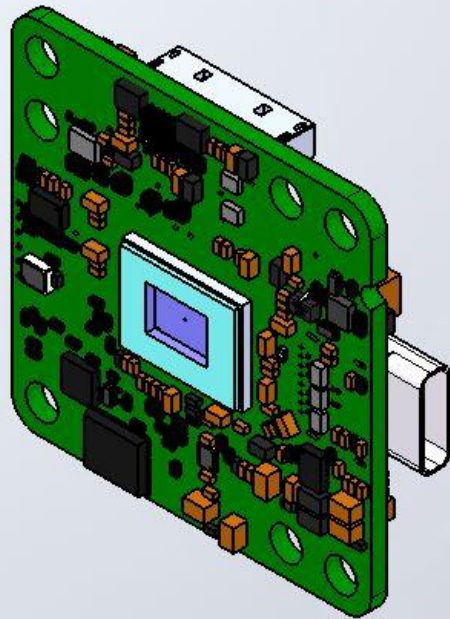
## Reasons and description of the product adaption

The PCB boards of the USB 3.1 Gen 1 uEye LE cameras listed above are standardized to the same level. The electronic specification remains the same but an extra connector is added to the PCB being used for the uEye LE AF camera series.

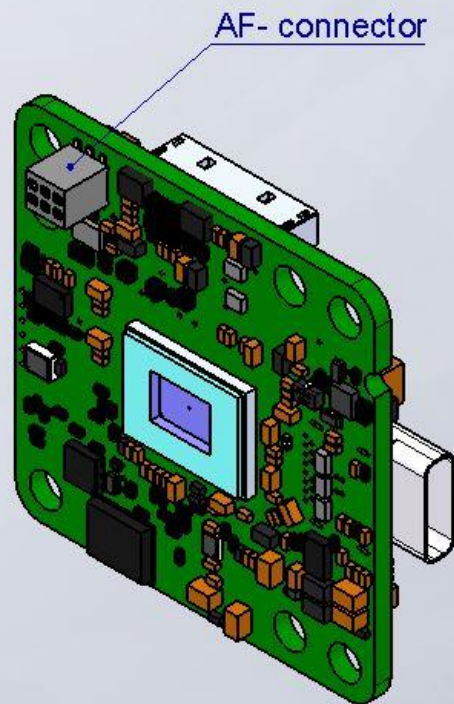


UI-3042LE, UI-3132LE, UI-3272LE  
UI-3862LE, UI-3882LE, UI-3592LE  
(likewise image)

existing version

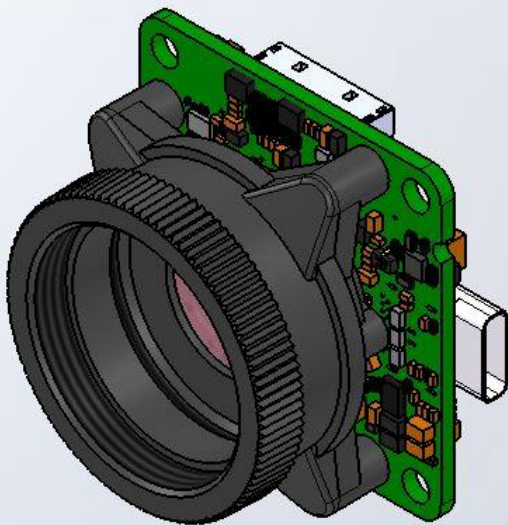


planned version with  
AF- connector

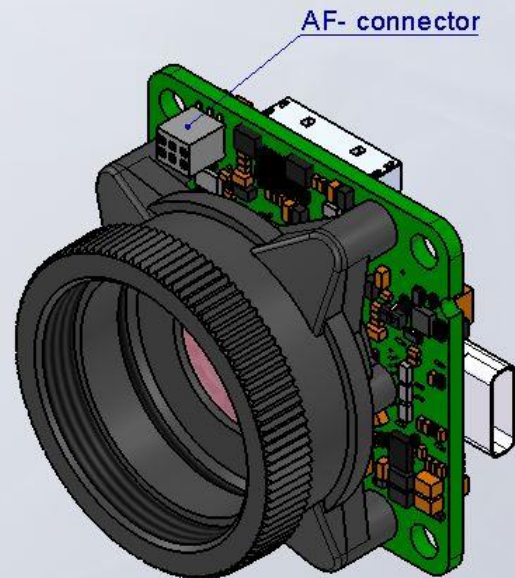


UI-3044LE, UI-3134LE, UI-3274LE  
UI-3864LE, UI-3884LE, UI-3594LE  
(likewise image)

existing version



planned version with  
AF- connector



## **Recommended action for customers**

No action required for customers using the cameras with plastic housing (UI-xxx0LE).

For PCB versions it is recommended to review the mounting situation of the camera. Mechanical collision of the AF connector to other parts have to be avoided.

Please contact our sales team for your questions.

## **Date of change**

This product change takes place from 1<sup>st</sup> November 2020 in our production line.