

Hybrid Cable

Item number:	Matchcode:
AD00207	USB 3.0, AOC, active cable, straight, screwable, 10 m
AD00208	USB 3.0, AOC, active cable, straight, screwable, 20 m
AD00209	USB 3.0, AOC, active cable, straight, screwable, 30 m
AD00210	USB 3.0, AOC, active cable, straight, screwable, 50 m

Introduction:

In order to compensate for ordinary USB 3.0 active fiber cable's defect that can't supply power to device, IDS introduce new generation of USB 3.0 hybrid cable. On the basis of the use of optical fiber as the transmission medium, the USB 3.0 hybrid cable integrate copper to achieve the purpose of supplying power to device. The hybrid cable length can be up to 50 m without adding any relay device which is suitable for the scene of having no on-site power supply. This production can meet the USB 3.0 spec. It's build-in unique SuperTT technology is capable of realizing mutual conversion between USB 3.0 and USB 2.0 protocols, so as to enable USB 2.0 equipment to share the super speed bandwidth (5 Gbps) of USB 3.0. Using with USB hub, multiple USB 2.0 equipment may exclusively share the peak bandwidth of 480 Mbps.



RoHS Compliant



* This document is the property of IDS Imaging Development Systems GmbH. It must not be copied or otherwise disclosed without prior written consent.

Features:

- The maximum cable length can be up to 50 m
- The maximum transition speed can be up to 5 Gbps
- A substantial increase in USB 2.0 device bandwidth with build-in SuperTT technology
- Providing maximum 900 mA/5 V for the device
- With locking screw holes
- Hot-plugging
- No driver
- Anti-jamming
- Separate USB 3.0 standard cable is needed (AD00155 Standard cable 1 m or AD00142 Standard cable 3 m)
- Highly recommended in combination with a USB 3.0 PCI Express card with external power supply (AL00014)

Specification:

Cable Length	10 m/20 m/30 m/50 m
Interface:	
Host Side	USB 3.0 Standard-A Plug (with locking screws) USB 2.0 Micro-B Receptacle, Auxiliary power supply for device with >2 W power dissipation
Device Side	USB 3.0 Standard-A Receptacle (with locking threads)
Data rate	USB 3.0 Super Speed, up to 5 Gbps, backward compatible with USB 2.0/1.1
Power:	
Host Side	USB Bus Power Supply
Device Side Supply Current	Maximum 5V 900 mA (10 m/20 m/30 m)/600 mA (50 m) (Need to connect Auxiliary power supply to host side)
Physical/Environmental:	
Dimension of the End	Host Side: 44 mm/19 mm/13 mm Device Side: 82 mm/26 mm/14.5 mm
Cable Diameter	3,7 mm
Bend Radius	20 mm

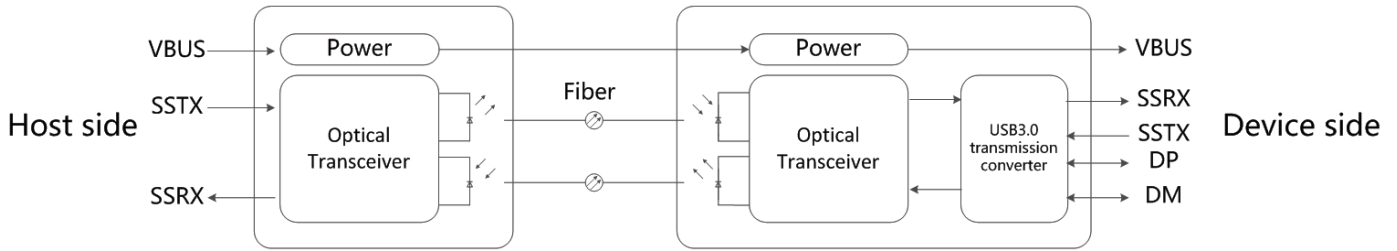
* This document is the property of IDS Imaging Development Systems GmbH. It must not be copied or otherwise disclosed without prior written consent.

Operating Environmental conditions:	
Temperature	0 - 50°C
Humidity	15% - 85%
Pressure	700hPA - 1060hPA
Max. temperature gradient	6 °C / h
Transport Environmental conditions:	
Temperature	-20 - 50 °C
Humidity	5% - 95%
Pressure	700hPA - 1060hPA
Max. temperature gradient	10 °C / h
Storage Environmental conditions:	
Temperature	5 - 50 °C
Humidity	5% - 95%
Pressure	700hPA - 1060hPA
Max. temperature gradient	10 °C / h

* This document is the property of IDS Imaging Development Systems GmbH. It must not be copied or otherwise disclosed without prior written consent.

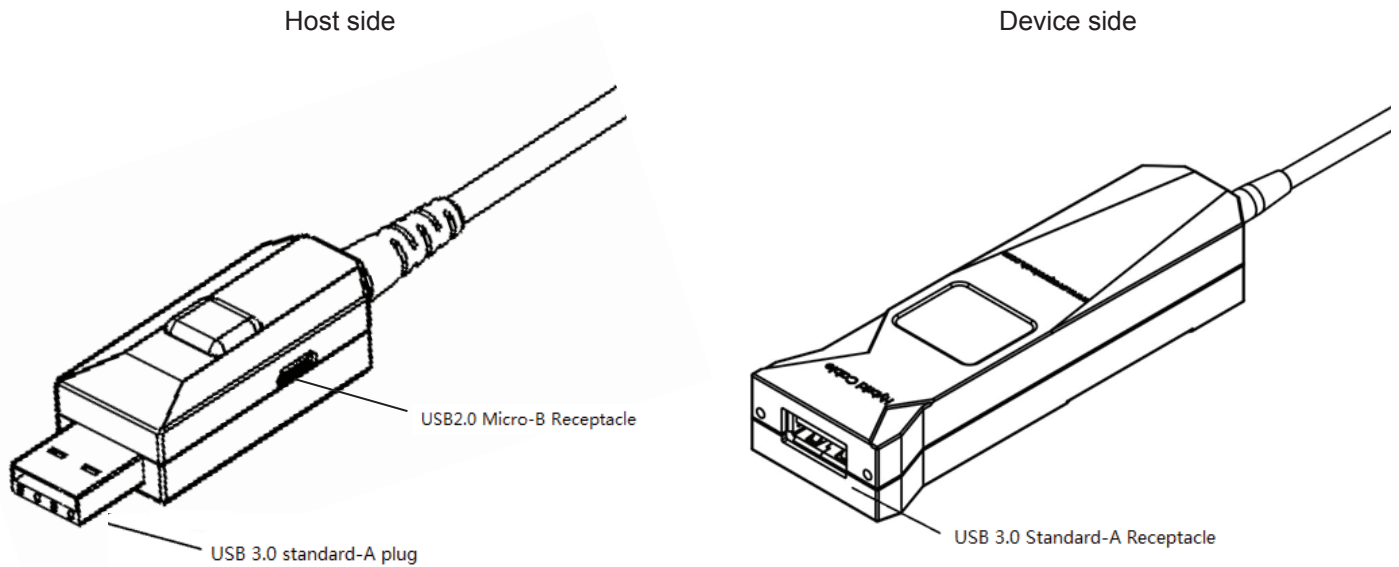
Technical Description:

USB 3.0 hybrid cable series built-in optical transceiver chip to complete the OE & EO conversion.



Connector Description:

Host side of the USB 3.0 hybrid cable series is USB 3.0 standard-A plug. USB 2.0 Micro-B receptacle for auxiliary power supply is also provided on the host side. Device side of the USB 3.0 hybrid cable series is USB 3.0 Standard-A receptacle with locking threads. When the device consumes more than 2 W power, connect the USB 2.0 Micro-B Receptacle to the host to ensure that the device is working properly.

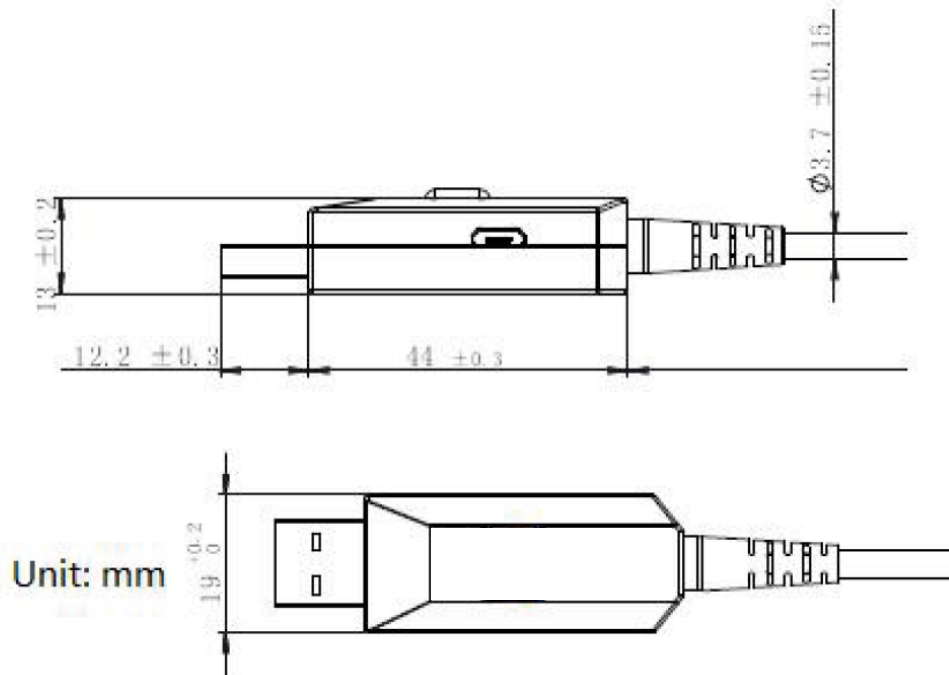


* This document is the property of IDS Imaging Development Systems GmbH. It must not be copied or otherwise disclosed without prior written consent.

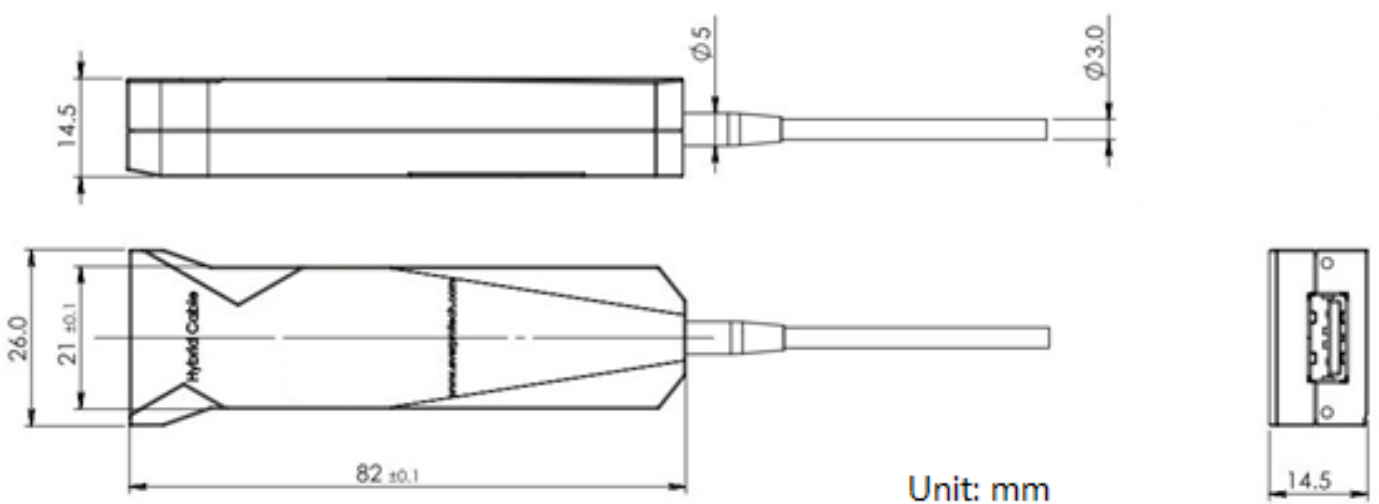
Mechanical Dimensions:

The dimensions of two ends of the USB 3.0 hybrid cable series are as below:

Host side



Device side



* This document is the property of IDS Imaging Development Systems GmbH. It must not be copied or otherwise disclosed without prior written consent.

Applications:

- Machine Vision Camera Extension
- Security Camera Extension
- Digital Signage and TV Wall
- Smart Digital Video Surveillance System
- Zero Client Connectivity
- Remote Storage

Suitable for USB 3 uEye cameras:

- USB 3 uEye CP
- USB 3 uEye CP Rev. 2
- USB 3 uEye LE
- USB 3 uEye ML
- USB 3 uEye XC

You can find all USB 3 uEye cameras on our website: www.ids-imaging.com/usb3

Contact:

If you have any further questions, please do not hesitate to contact us:

T: +49 7134 96196-0
E: sales@ids-imaging.com
Web: www.ids-imaging.com