

## Introduction

This document describes how to mount a lens tube on an IDS camera. It covers the following lens tubes:

- BE00028 lens tube 65 mm, Ø 70 mm
- BE00029 lens tube 77 mm, Ø 70 mm
- BE00030 lens tube 97 mm, Ø 70 mm

**NOTICE!** For mounting these lens tubes, also BE00034 tube flange, Ø 70 mm is required.

**i** IDS Imaging Development Systems GmbH assume no liability for defects if the lens tube was improperly mounted or dismounted by the customer or a third party.

## Prerequisites

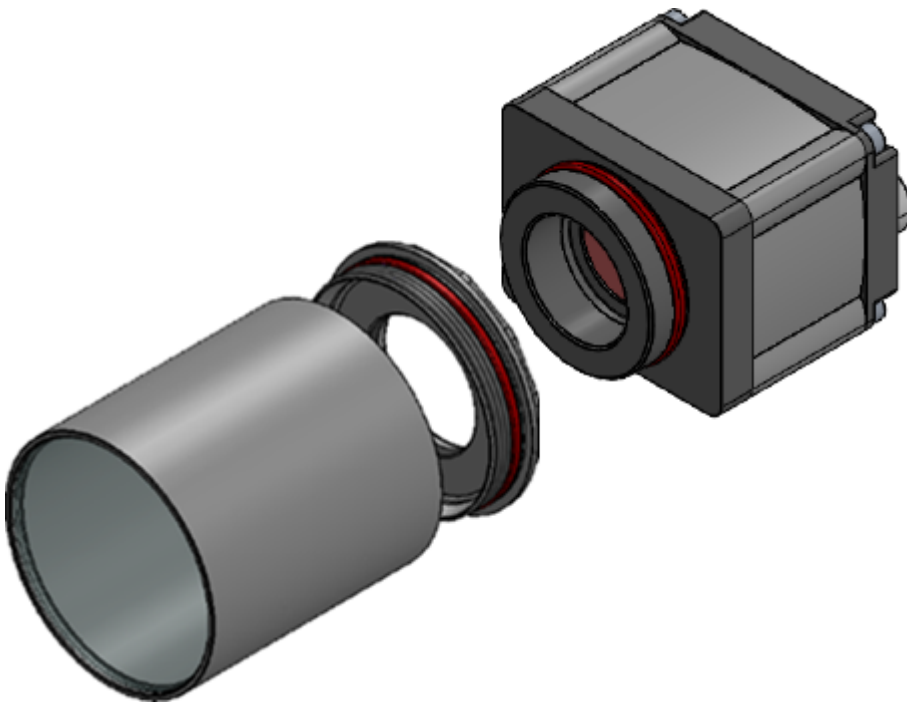
Before mounting the tube, store the camera, lens, lens tube, and tube flange in a cool, dry place for a while. This will prevent condensation on the inside of the lens tube after mounting.

## Mounting the lens tube

**i** **Note on the O-ring seal at the tube thread**  
Check the O-ring seal for damage before mounting a protective lens tube. If you will be using the camera without a lens tube for a prolonged time, remove the O-ring seal and store it away from light, as UV light and ozone can cause the O-ring seal to become porous.  
**NOTICE!** If you need to grease the O-ring seal, use only a thin lubricant film of silicone grease.

Proceed as follows:

1. Mount the tube flange on your IDS camera until the tube flange is screwed tightly onto the camera housing. The tube flange has an edge so that there is a small gap between the camera housing and the flange surface.
2. Mount your lens.
3. Mount the lens tube on the tube flange. The lens tube is tight if it is screwed flush on the tube flange.

**i Note on IP 65/67**

The GigE uEye FA/RE PoE housing version is IP 65/67 compliant. The following requirements must be met for conformance to the IP 65/67 standards:

- A lens tube must be connected.
- Cables must be attached to both connectors during operation.

**NOTICE!** The camera has not been approved for underwater use.

## Dismounting the lens tube

When dismounting the lens tube, make sure that no dust or water can get in the camera housing. Proceed as follows:

1. Dismount the lens tube. For this, fix the tube flange, as it can happen that the tube flange also rotates.
2. Dismount your lens.
3. Dismount the tube flange.

Status: 2019-02-01